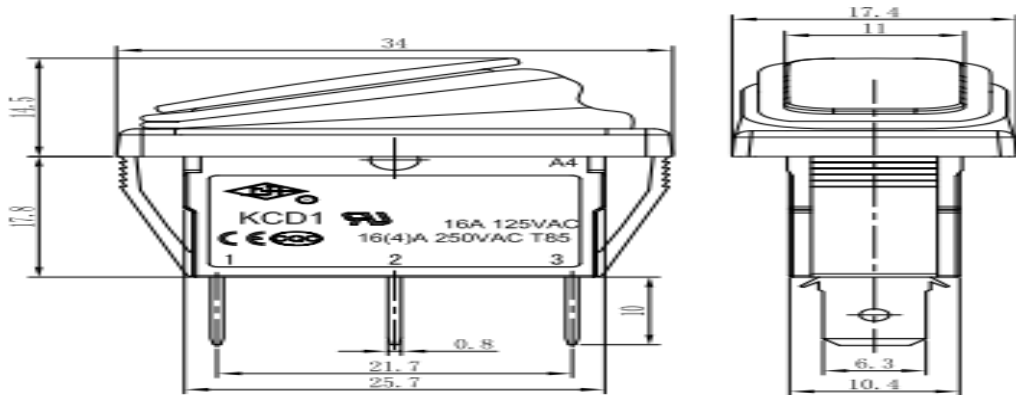




Name	SB068 IP65 on-off-on 22x28.5mm
Rated Range	16(4)A 250VAC T85 16A 125VAC
Contact resistance	$\leq 50\text{m}\Omega$
Insulation resistance	$\geq 1000\text{M}\Omega$
Compressive strength	1500VAC 1Min
Electrical life	10000time
Mechanical life	10000time
Press power	2N~8N
Operating temperature	-25°C ~ +55°C
Degree of protection	IP65
Hypothermia	-25°C

Weldability $\leq 320^{\circ}\text{C}$, $\leq 3\text{S}$
 Resistance to soldering heat pick $\leq 320^{\circ}\text{C}$, $\leq 3\text{S}$
 Material PA66



Z: 安装面板
厚度

Z	X	Y
0.75~1.25	28.1 $^{+0.10}_0$	10.7 $^{+0.10}_0$
1.25~2.00	28.2 $^{+0.10}_0$	10.7 $^{+0.10}_0$
2.00~3.00	28.3 $^{+0.10}_0$	10.7 $^{+0.10}_0$